

BODY MARK  
 Front:1/4"-2"-800LB  
 A105N  
 Back:WARREN

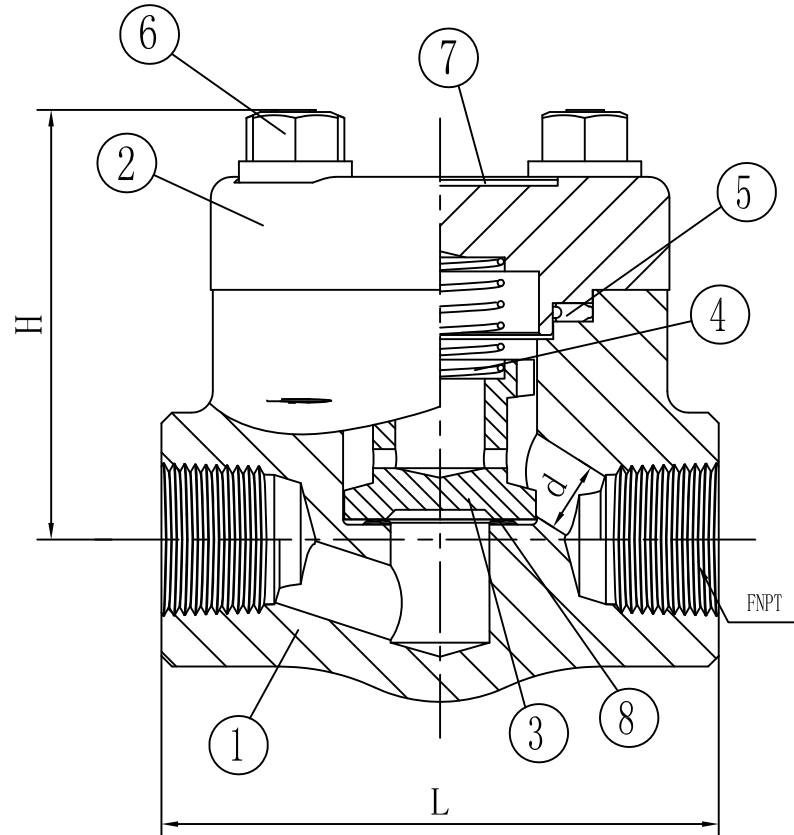
TEST PRESSURE:  
 Test inspection Per API 598  
 Shell(by Water):2975 Psig  
 High-Pressure Closure(by Water):2175 Psig

APPLICABLE STANDARDS  
 BASIC DESIGN: API 602&ASME B16.34  
 SCREWED ENDS DIMENSION : ASME B1.20.1  
 TEST AND INSPECTION : API 598  
 NACE MR-0175

Fig No.:WARREN-854-T

MATERIALS LIST

NO.	NAME PARTS	MATERIALS
1	BODY	ASTM A105N
2	BONNET	ASTM A105N
3	DISC	ASTM A182 F6a
4	SPRING	316 SS
5	GASKET	304+GRAPHITE
6	BONNET BOLT	ASTM A193 B7M
7	NAMEPLATE	304 SS
8	INTEGRAL SEAT	ASTM A105N+STL



SIZE	Dimension Unit: inch				WGT (LB)	Cracking Pressure (PSI)	CV
	L±0.06	d <sup>+0.04</sup> <sub>-0.02</sub>	FNPT	H±5			
1/4"	3.11	Ø0.27	1/4"	2.28	3.1	7.3	0.6
3/8"	3.11	Ø0.27	3/8"	2.28	3.1	7.3	0.6
1/2"	3.11	Ø0.37	1/2"	2.28	3.1	7.3	1.0
3/4"	3.62	Ø0.49	3/4"	2.28	3.3	8.7	2.1
1"	4.37	Ø0.69	1"	2.95	6.0	11.6	4.3
1¼"	4.72	Ø0.93	1¼"	3.35	8.6	13.1	7.1
1½"	5.98	Ø1.12	1½"	3.82	11.7	13.1	11.2
2"	6.77	Ø1.44	2"	4.25	17.2	17.4	18.5



	APPROVED BY.	CHECK BY.	DRAWN BY.	DRAWINGNO.	MATERIAL	UNIT	DESCRIPTION	
SIGN	Zhang	Zhou	Chen	WARREN-854-T	MATERIALS LIST	inch	RXWA	LIFT CHECK VALVE,800LB, FNPT,A105N,TRIM 8#,NACE
DATE	02/25/2019	02/25/2019	02/25/2019	REVISION 02	SCALE	FREE		